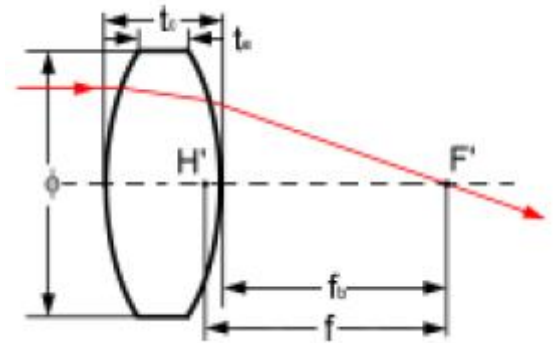


FUSED SILICA DOUBLE-CONVEX LENSES

Specifications:

Material	UV grade FUSED SILICA
Design Wavelength	546.1nm
Design Index	1.46008 ± 0.0005
Diameter Tolerance	+0.0, -0.15mm
Paraxial Focal Length	±2%
Centration	3 arc minutes
Clear Aperture	>80%
Surface Irregularity.....	$\lambda/4$ per 25mm at 632.8nm
Surface Quality	60-40 scratch and dig



Part No.	f(mm)	ϕ (mm)	$R_1=R_2$ (mm)	t_c (mm)	t_e (mm)	f_b (mm)
DCX1201	15.0	12.7	12.90	5.3	2.0	13.1
DCX1202	20.0	12.7	17.69	4.4	2.0	18.4
DCX1203	25.0	12.7	22.38	3.8	2.0	23.7
DCX1204	30.0	12.7	27.04	3.5	2.0	28.8
DCX1205	40.0	12.7	36.31	3.1	2.0	38.9
DCX1301	25.0	25.4	21.22	10.4	2.0	21.1
DCX1302	35.0	25.4	30.99	7.4	2.0	32.4
DCX1303	50.0	25.4	45.10	5.7	2.0	48.0
DCX1304	75.0	25.4	68.32	4.4	2.0	73.5
DCX1305	100.0	25.4	91.42	3.8	2.0	98.7
DCX1306	150.0	25.4	137.52	3.2	2.0	148.9
DCX1307	200.0	25.4	183.58	2.9	2.0	199.0
DCX1308	250.0	25.4	229.61	2.7	2.0	249.1
DCX1309	300.0	25.4	275.64	2.6	2.0	299.1
DCX1311	500.0	25.4	459.71	2.4	2.0	499.2
DCX1312	1000.0	25.4	919.82	2.2	2.0	999.2
DCX1401	50.0	38.0	44.10	11.6	3.0	45.9
DCX1402	100.0	38.0	90.90	7.0	3.0	97.6
DCX1403	150.0	38.0	137.13	5.7	3.0	148.0
DCX1404	200.0	38.0	183.13	5.0	3.0	198.3
DCX1405	350.0	38.0	321.41	4.1	3.0	348.6
DCX1406	500.0	38.0	459.48	3.8	3.0	498.7

