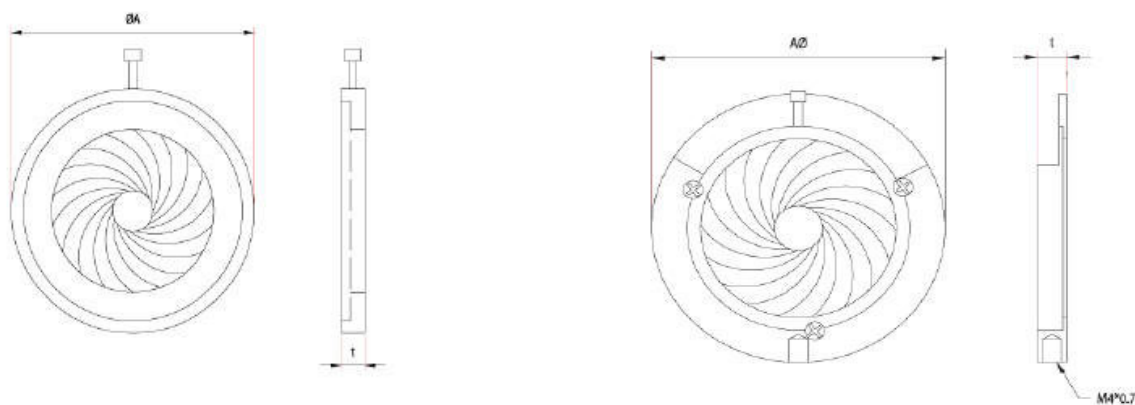


IRIS DIAPHRAGM



IR01~IR04 WITHOUT MOUNT

IR01~03M with mount



Model	MAX. Aperture	MIN. Aperture	$\varnothing A$	t	Pin Dia.*Length
IR01	8mm	0.7mm	15mm	4.5mm	1.6*6.5
IR02	18mm	0.8mm	28mm	5.0mm	3*12
IR03	34mm	1.0mm	49mm	5.5mm	3*12
IR04	42mm	1.2mm	58mm	6.5mm	3*12

Model	MAX. Aperture	MIN. Aperture	$\varnothing A$	t
IR01M	18mm	0.8mm	44mm	6.0mm
IR02M	34mm	1.0mm	65mm	6.0mm
IR03M	42mm	1.2mm	80mm	7.25mm

MODEL	SIZE	APERTURE
IR01	Ø15	0.7-8mm
IR02	Ø28	0.8-18mm
IR03	Ø49	1.0-34mm
IR04	Ø58	1.2-42mm

MODEL	SIZE	APERTURE
IR01M	Ø44	0.8-18mm
IR02M	Ø65	1.0-34mm
IR03M	Ø80	1.2-42mm