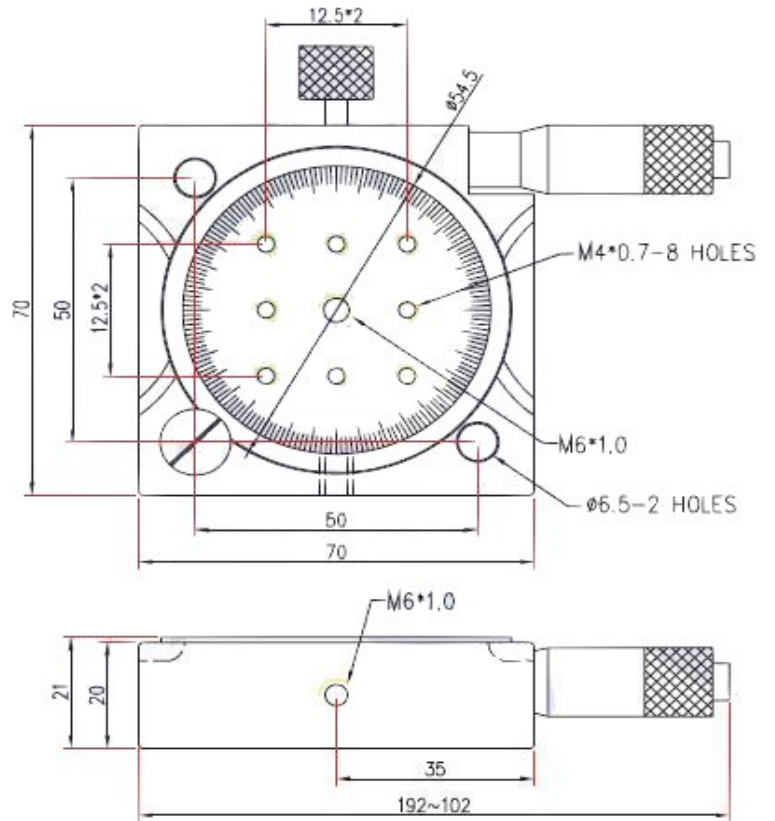


ROTATION STAGES WITH MICROMETER

MODEL NO.	RS01-M
Travel Range	360°
Platform Size	Ø55mm
Resolution	1°
Load Capacity	2.0kg
Weight	0.3kg



MODEL NO.	RS02-M
Travel Range	360°
Holding Size	Ø25mm
Resolution	1°
Load Capacity	2.0kg
Weight	0.3kg

